

123AUTEL®

AUTEL MAXISYS™

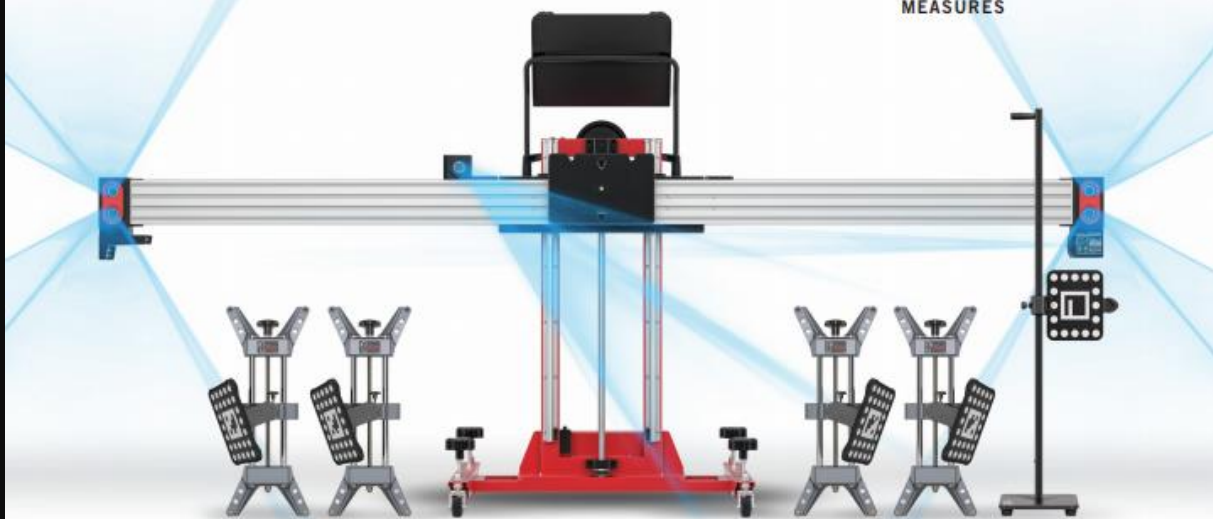
IA800

INTELLIGENTADAS

OPTICAL POSITIONING SYSTEM

FASTEST, EASIEST & MOST PRECISE SETUP

NO MORE 
MECHANICAL
MEASURES



AUTEL IA800
EXPAND THE CAPABILITIES OF YOUR EXISTING
STANDARD CALIBRATION FRAME



123AUTEL®

Begijnhofweg 2

6037RJ Kelpen-Oler

0031(0)495-654068

0031(0)6143 60919

info@autel-sales.com

IA800 EXPANSION PACKAGE

Easily install to upgrade capability of your Autel Standard Calibration frame to quickly position without mechanical measurements.



MOST AFFORDABLE OPTION
USE YOUR EXISTING CALIBRATION FRAME & TABLET

SIX HIGH-RESOLUTION 3D IMAGING CAMERAS

LEFT CAMERA

2 CAMERAS + 4 CABLES
CSC0500-06



CENTER CAMERA

1 CAMERA
CSC0500-06



RIGHT CAMERA

2 CAMERAS
CSC0500-06



ACCURATE TO:

- 0.01° ANGLE (1/100TH OF A DEGREE) WHEN SQUARING FRAME TO VEHICLE
- 1MM DISTANCE, FOR PLACING TARGET
- 1MM OFFSET, FOR CENTERING FRAME TO VEHICLE

NOMORE

MECHANICAL TAPE
PLUMB BOBS
STRING LINES
MIRRORS

The IA800 advanced 3D camera technology provides the most accurate and fastest calibration frame placement by removing the tape measure, plumb bobs, string and mirrors from your setup process.

CAMERA FEATURES:

- Three-Dimensional Scan of Vehicle
- Measures Distance, Frame Angle and Frame Offset in 1 Step
- Two Cameras on Each End of Crossbar to Identify Wheel Targets
- One Camera at Center of Crossbar to Measure Distance
- One Camera for Self-Calibration

REQUIRED PRODUCTS TO USE THIS EXPANSION PACKAGE (SOLD SEPARATELY)

- Autel ADAS Standard Calibration Frame Package
- MaxiSYS Tablet with ADAS Calibration Software



CALIBRATE WITH CONFIDENCE

Know your team is using the most current vehicle data and technology ensuring all calibrations are completed accurately and returned to vehicle owners safely.

IA800 EXPANSION PACKAGE ALSO INCLUDES:

WHEEL CLAMP (4 pcs)

CSC0500-07-LF, CSC0500-07-LR
CSC0500-07-RF, CSC0500-07-RR



Attach To Wheels
Secure Use With Targets

DISTANCE TARGET

CSC0500-08



Frame Distance Measure During
Frame Placement

TARGET (2 pcs)

CSC0500-09-LF
CSC0500-09-RF



Two Targets Use During
ADAS Calibration

TARGET (2 pcs)

CSC0500-09-LR
CSC0500-09-RR



Four Targets Use
During Alignment Check



WHEEL CHOCK (2 pcs)

Secure Vehicle Wheels
During Alignment Check



TABLET SUPPORT

Hands Free Operation
During Frame Placement



STEERING WHEEL LOCK

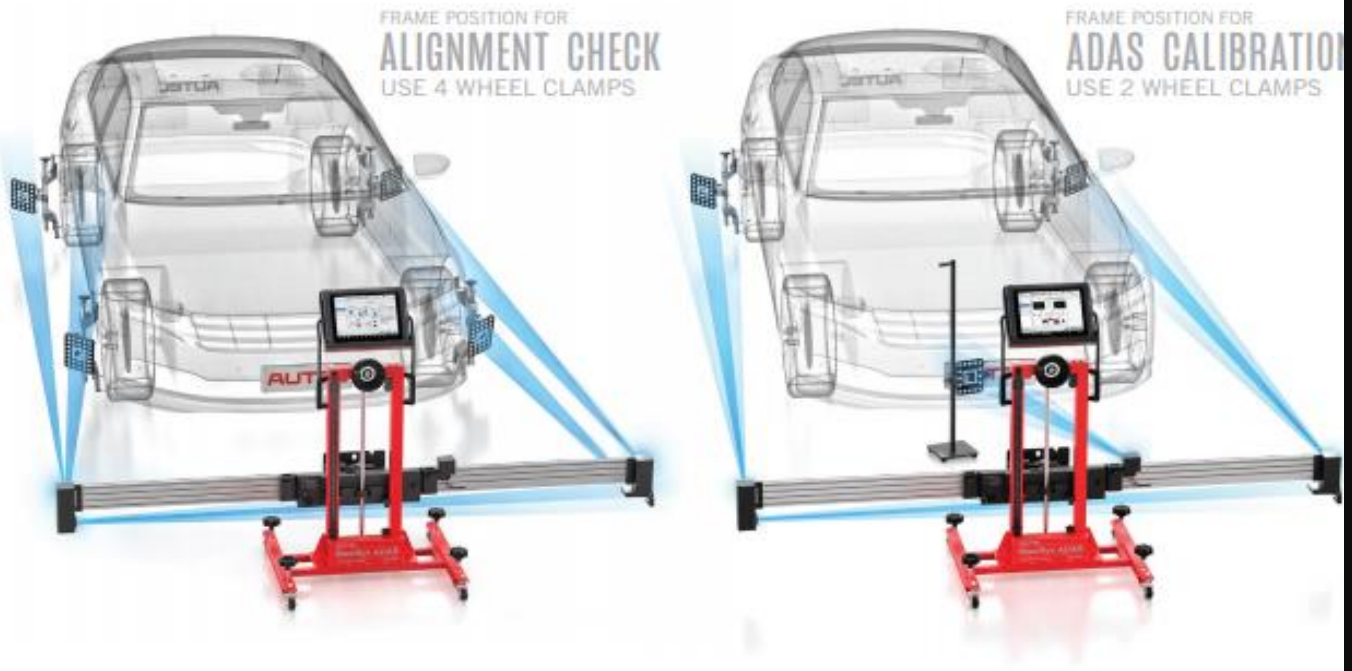
Secure Steering Wheel
During Alignment Check



24V POWER ADAPTER

Power To IA800 Cameras
During Frame Placement

4-STEP INTELLIGENT ADAS WORKFLOW



1 PRE-CHECK NEW FEATURE

- Perform Accurate Alignment Check and Easily Add Confirmation to the Diagnostic Pre-SCAN Report
- Quickly Identify Wheel Alignment Issues that Can Affect the Accuracy of Calibration
- Use the Pre-CHECK Function Alone to Generate Revenue From Needed Suspension Repair, Without Tying Up Your Alignment Machine.



2 POSITION

- Eliminate Manual Measuring and Reduce the Chances of Mistakes
- Digitally Position Calibration Frame Quickly with Only 1 Technician Needed
- Illustrated, Step-By-Step Instructions Guide the User Frame Placement Process Simply Follow the On-Screen Prompts



INCREASED PRODUCTIVITY
GREATER RETURN ON INVESTMENT



MAXIMIZE SHOP EFFICIENCY

Improve productivity by managing more of the repair process in shop to return vehicles to customers **faster and safer** all while **meeting OEM specifications**.

PLUS fully integrates with Autel's MaxiSYS software to enable live positioning optical measurement.

3 PERFORM

- Color Coded Values Indicate Accurate Amount of Frame Movement Required (Orange, Yellow, Green)
- Complete the Calibration Process with Any ADAS Capable Autel MaxiSYS Scan Tool
- Run a Post-SCAN to Generate a Complete ADAS Calibration Report to Show Validation



4 PROVIDE

- Accurate and Easily Read Report Providing Submittable Proof of Vehicle Alignment and Calibration Accuracy Before Returned to Owner
- PreSCAN / PostSCAN Report Easily Shared with Insurance Carrier by Print, Digital PDFs or Email
- Run a Post-Scan to Generate a Complete ADAS Calibration Report to Show Validation



- Pre-Scan System for Faults Prior to Servicing Vehicle Document Pre-Existing DTCs
- Add Photographs Of Any Pre-Existing Vehicle Damage
- Easy Identify ADAS Modules
- Add Technician Notes Directly from the MaxiSys Scan Tool
- Time & Date Stamps for Every Step Completed
- Detailed Alignment and Calibration Validation Reports

Autel follows OE recommendations for completing ADAS calibrations indoors on level ground to ensure calibrations are completed correctly and returned to vehicle owners safely.

123AUTEL®

AUTEL® MAXISYS®

SMARTER DIAGNOSTICS

STARTS HERE



PART NO:
ADASUPGRADE

ONE TIME
PURCHASE

NOW YOU CAN ADD
ADAS SOFTWARE TO
ANY MAXISYS TABLET

Autel ADAS Software features easy-to-use graphic instruction to guide you through the entire calibration process.



Autel ADAS Software for the Standard & MA600 Frame System is compatible with the following MaxiSYS Tablets:

TABLET COMPATIBILITY

- MS908
- MS908P
- MS908S
- MS908SP
- MSELite
- MS909
- MS919
- MSUltra

123AUTEL®

Begijnhofweg 2

6037RJ Kelpen-Oler

0031(0)495-654068

0031(0)6143 60919

info@autel-sales.com